



TRANSPACK V2.05

SHEET 1

DATE OF ISSUE : 3/Jul/2013

METHOD OF PACKING: BULK INVERTED TRAYS

DRG No: 8186

TPS No: 981538

PALLET DETAILS

ITEM	DESCRIPTION	QTY	CODE	SIZE LxWxH	QUALITY
BASE UNIT	STD. PALLET 27501458	1	51458	1200x1000x 153	SOFTWOOD
BASE LAYER	BLOCK PAD 27501670	1	51670	1203x 999x 3	
INTER LAYER	TRAY L0285 (27501526)	5	51526	1185x 975x 100	SOFTWOOD
TOP LAYER	TRAY L0285 (27501526)	1	51526	1185x 975x 100	
SHROUD	SHRINKFILM 27601414	1	61414	1360x2350x1950	METALLOCENE
SKIRTING	FUSESEAL 27501460	1	51460	1350x1150x 0	LDPE

SUB-PACK DETAILS

ITEM	DESCRIPTION	QTY	CODE	SIZE LxWxH	QUALITY
OUTER DIVIDER					
LINER					
BASE LAYER					
INTER LAYER					
TOP LAYER					

CONTAINER DETAILS : EMPTY

CUSTOMER : NON PROPRIETARY
 DESCRIPTION : PINT MILK

BODY SECTION : ROUND
 DIAMETER : 78.10

OVERALL HEIGHT : 181.70
 SHOULDER HEIGHT : 75.20
 BODY TOLERANCE ±: 1.4
 HEIGHT TOLERANCE ±: 1.3
 FINISH DIAMETER : 36.00
 FINISH DESCRIPTION: 35mm GF124 (Shallow)
 GLASS WEIGHT : 238.00
 GLASS COLOUR : FLINT

PRODUCT CODE : D1

OUTER CONSTRUCTION

BASIC FORM :
 TOP CLOSURE :
 BASE CLOSURE:
 SIDE JOIN :

EXTERNAL DIMS:
 INTERNAL DIMS:

PACKING DETAILS

CONTAINER PACK : RING UP
 TIER PACK : NORMAL
 FORMAT: (15x 7 + 14x 7)x 1
 CONTAINERS PER PACK : 203
 CONTAINERS PER PALLET : 1218
 PACKS PER TIER : 1
 TIERS HIGH : 6

FACTORY APPROVAL

CUSTOMER APPROVAL



TRANSPACK V2.05

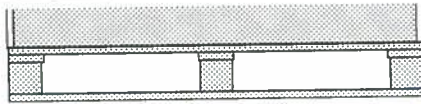
SHEET 2

DATE OF ISSUE : 3/Jul/2013

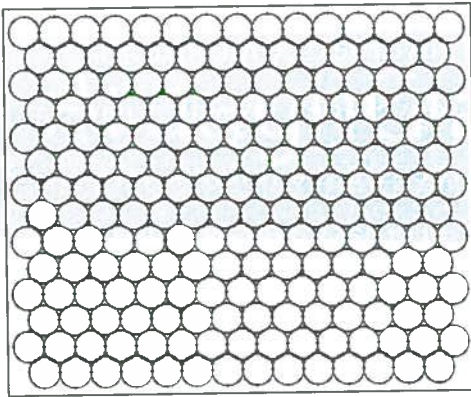
METHOD OF PACKING: BULK INVERTED TRAYS DRG No: 8186 TPS No: 981538

CONVENTIONAL NESTING

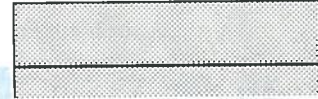
BASE UNIT : **STD. PALLET 27501458**
 BASE LAYER : **BLOCK PAD 27501670**
 INTER LAYER : **INV. TRAY L0285(27501526)**
 TOP LAYER : **INV. TRAY L0285(27501526)**
 SHROUD : **SHRINKFILM 27601414**
 SKIRTING : **FUSESEAL 27501460**



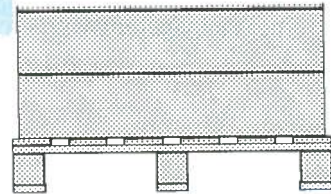
1185 mm TRAY SIZE
 1171 mm OVER GLASS



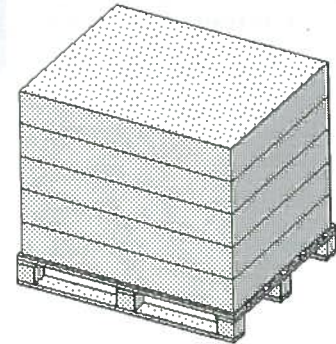
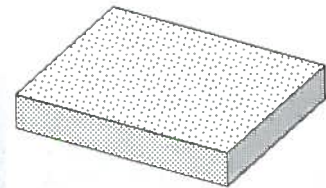
1264 mm PALLET HEIGHT
 6 TIERS HIGH



CONTAINER PACK: RING UP
 CONTAINERS/PALLET : 1218
 PALLET WEIGHT : 326



975 mm TRAY SIZE
 957 mm OVER GLASS



NESTING GAPS : 3.0 x 31.6
 NESTING CENTRES: 78.1 x 67.6
 FORMAT : (15x 7 + 14x 7)x 1 = 203
 (EACH TIER PACKED IDENTICAL)

SPECIAL PACKING INSTRUCTIONS

PALLET TICKET INFORMATION

No OF TICKETS - 1
 LOCATION -

COLOUR -
 ADD.LABELS -

PINT MILK | MOULD- 8186 | PACK CODE- 51526 | No/Pallet- 1218

DEPARTURES FROM THIS SPECIFICATION MUST BE REPORTED TO THE PRODUCT DEVELOPMENT DEPARTMENT
